

Introducing: The "Aviator" stairlift by Pilot



1-800-963-7487

Website address www.meritsusa.com

| Technical Specs | |
|--------------------------|--|
| Weight capacity | 350lb / 158kg |
| Motor | 1/2HP, 24VDC |
| Speed | 18~25fpm (5.4~7.8m/min) |
| Incline limits | 25°~55° |
| Travel | 15' 9" (4.8m) STD/ 31' 6" (9.6m) MAX |
| Drive method | Rack & pinion |
| Charger | 100~240VAC, 50~60HZ |
| Battery | 24VDC Rechargeable batteries |
| Brake | Electro/mechanical brake + Over-speed Governor |
| Internal arm rest width | 16" - 20" |
| Seat to footplate height | 17" - 20" |
| Diagnostic Display | Informs user of lift status |
| Remote Controls | Comes w/ 2 Reprogrammable remotes |
| Compliance Standards | ASME A18.1/A17.5 & EN81-40 |
| Safety Sensors | 5 Built-in Safety Sensors, Standard |
| Safety Devices | Overtravel Prevention, Motor Brake, Key Switch, Retractable Seat Belt, Armrest and Swivel Seat Safety Switches |
| Warranty | 5-Year Motor/Gear Box 2-Year on Components |



**Available In three colors
beige, brown and red**



Pilot
KEEP MOVING

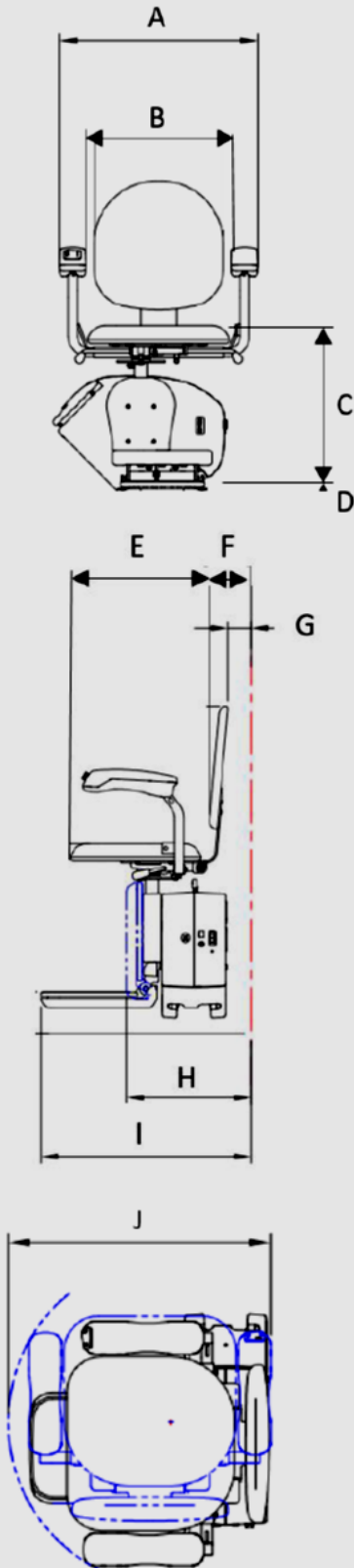
Pilot Aviator

Features and Benefits

- Stylish padded upholstery available in a choice of three colors*
- Smooth, quiet operation with soft start/stop technology*
- Fully re-handable - Converts from RH to LH in minutes*
- Fully adjustable - The armrest width and the seat height can be tailored to meet your customers individual needs*
- Diagnostic display - To inform the user of the status of the lift*
- Remote controls - easy and convenient to call or send the lift remotely*
- Compact design - Stairlift folds to 13" from the wall and less than 8" track intrusion*
- Innovative supports makes installation easy, even on irregular stair treads*
- Simple no fuss installation*
- Automatic Hinge option available soon.....*

AVIATOR E603

Dimensions & Technical specifications



| Front view | Inches |
|-----------------------------|----------|
| A - External armrest width | 22 to 26 |
| B - Internal armrest width | 16 to 20 |
| C - Seat to footrest height | 17 to 20 |
| D - Footrest to floor | 4 |

| Side view and top view | Inches |
|----------------------------|--------|
| E - Seat depth | 16.36 |
| F - Wall to inside of seat | 3.3 |
| G - Wall to seat back | 1.18 |
| H - Folded width | 13 |
| I - Unfolded width | 23 |
| J - Swivel radius | 24 |
| Track intrusion | 7.88 |

| Technical specifications | |
|--------------------------|---------------|
| Weight capacity | 350Lbs |
| Minimum angle | 25 degrees |
| Maximum angle | 55 degrees |
| Speed | 18-25 Ft/min |
| Driving means | Rack & pinion |
| Outlet requirement | 100 - 240VAC |
| Batteries | 24VDC |

Please note, all dimensions that are measured from the wall are the minimum that can be achieved. Adjustments to these dimensions may be necessary to account for any obstructions that are present.