

# TRUSLIFT™ 750



Engineered for  
your Independence





## What do I need to think about when I consider my accessibility application?

### **SAFE**

RAM's first priority is always safety. Our Applications Support Specialists can advise you, and our local dealer partners that support you, on the options that will fit your specific application to ensure that you know how to meet or exceed all the best practice safety codes.

### **RELIABLE**

RAM products are designed to provide best in class reliability of use. With options such as our "Tower of Power" we can also ensure that the Lift is functional should your local power grid fail...don't get stranded when it really counts.

### **EASY TO OPERATE**

With patented "Soft Touch" controls RAM caters to people with limited strength and difficulty in pressing small buttons. Our controls make it easy to enjoy accessibility and aging in place.

*Trust RAM to help you maintain your connection to the world through our accessibility lifts.*

# TRUSLIFT™ MODELS

## WEIGHT CAPACITY

With up to 750lbs of capacity in our lift RAM can cater for even the most robust powered wheel chairs.

## SIZE

A TRUSLIFT™ takes up far less space than a Ramp and, by using an all-electric drive design, RAM can offer some of the most compact units on the market today. For specific sizes please see the technical information section.

## TRAVEL HEIGHT

Every TRUSLIFT™ model can be configured to suit up to 14 feet of travel

## APPLICATION

Whether you are looking for a way to “age in place”, prevent falls, outfit your home to contend with a new challenge, or access your home in flood zones RAM has the expertise, developed over the last 25 years, to assist you.

## QUIET

RAM designs the TRUSLIFT™ to have one of the smoothest and quietest drive systems on the market. This system avoids belt squeal and avoids vibration noise by isolating the motor from the main drive screw.

## OPTIONS

RAM has numerous options that can make using your lift easier and more helpful in your daily life. Don't forget to consider some of the additional safety options that can be included to ensure worry free usage should your circumstances change over time.

## ARCHITECTURAL BLENDING

If you want to have your lift blend in with your home or building RAM offers custom colors that can help you achieve this goal.

**For assistance or a quote call us at 1-800-563-4382 or visit us online at [www.trustram.com](http://www.trustram.com)**



## TRUSLIFT™ – PORCH

**Used for: garages, porches, decks, or other home access points**

- Small foot print for use in existing or new homes
- RAM's #1 selling lift
- Configured every time for optimal safety
- Options to allow for calling and sending the platform



## TRUSLIFT™ – OUTDOOR

**Perfect for accessing homes that are in flood prone or coastal areas**

- Motor and all electrical mounted at the top so avoid any water issues
- Great for accessing taller decks
- Great for extreme heat and cold due to our patented **Zero-Load Start Design**



## TRUSLIFT™ – FOR SHAFTS\*

**A perfect solution for getting between floors of a house (existing or new)**

- Multi-Stop Option available
- Less costly than a full elevator
- Can be installed with full height doors to ensure it does not compromise the attractiveness of your home
- Shallow 2" in Pit or a Ramp for access at lowest landing
- Can be retrofitted to your existing home or included as an option in a new home

\* Shaft supplied by others



## TRUSLIFT™ – PORTABLE

**Highly useful in schools, churches, or at venues with stages where access is required only from time to time or in multiple locations**

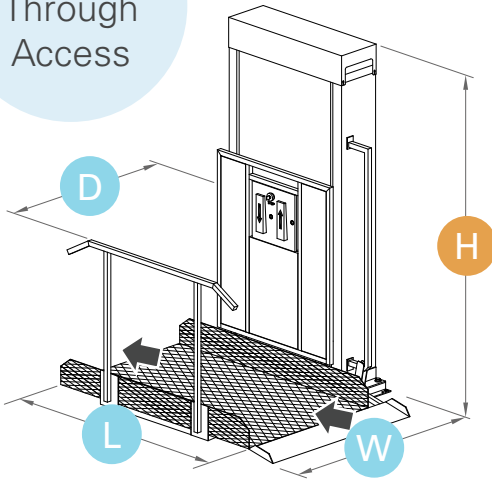
- Non-permanent installation where temporary accessibility is required
- Limited to 52" of travel
- All the safety features built in to a Standard TRUSLIFT™

## TRUSLIFT™ – COMMERCIAL

Spec Sheet available for more information. Or visit our website [www.trustram.com](http://www.trustram.com)

# TRUSLIFT™ SPECIFICATIONS

## Straight Through Access



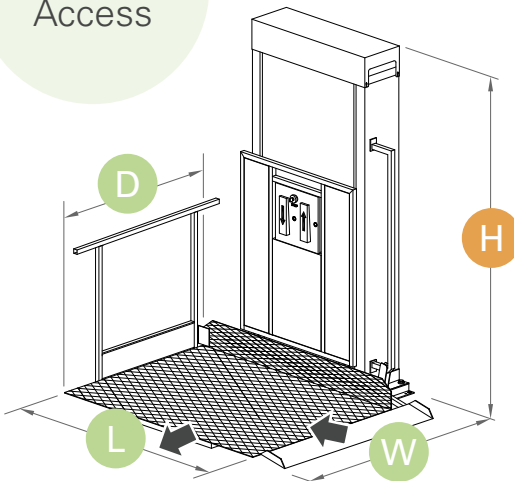
L	<b>Deck Length</b>	54"
D	<b>Deck Width</b>	34"
W	<b>Total Width</b>	49"

\* Custom platform sizes are available upon request

H	<b>Tower Height*</b>	
	28" Lifting Height	50.5"
	52" Lifting Height	74.5"
	72" Lifting Height	94.5"
	96" Lifting Height	120.5"
	120" Lifting Height	144.5"
	144" Lifting Height	168.5"
	168" Lifting Height	192.5"

\* Commercial Lifts and Lifts with a 90Deg manual crank have 11in taller tower heights

## Adjacent Access



L	<b>Deck Length</b>	54"
D	<b>Deck Width</b>	40"
W	<b>Total Width</b>	54"

\* Custom platform sizes are available upon request

### Important things to consider for the installation location:

Power availability – 15amp, 110V dedicated circuit no more than 8 feet away

Mounting to a wall – especially for lifts with travel greater than 52in

For exterior installations a secure footing – typically a concrete pad 5ft x 5ft

Vertical Platform Lifts are designed to meet ASME A18.1/ CSA B613-0 / CSA B355 Safety Standards when properly equipped. While RAM VPLs meet national standards, it is imperative to check State/ Provincial and Local code requirements before installing to ensure compliance. All State/ Provincial and Local compliance is the responsibility of the purchaser. Some states may require fees for site preparation and permits.



10203 - 184 Street  
Edmonton, Alberta T5S 2J4  
1-800-563-4382

[www.trustram.com](http://www.trustram.com)

## KEY FEATURES

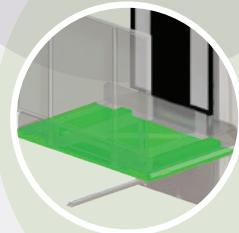
Add RAM gates to increase your safety



Patented soft-touch controls for ease of use



Add a safety pan for more peace of mind



## ADDITIONAL FEATURES

- Constant pressure Soft Touch control pads
- 750 lb capacity
- 8 feet/minute lift speed
- Direct Geared Belt Drive
- Non-load bearing back-up safety nut
- Low maintenance
- Non-skid platform surface for increased safety
- Pre wired - plug 110V/15A wall outlet
- Emergency manual operation
- Control box accessible from carriage
- Durable powder coat finish
- U.L. and C.S.A. Certified
- Patent Pending 90 Deg Manual crank option available

contact us for a dealer near you